

## Accessory

# HL-3-003

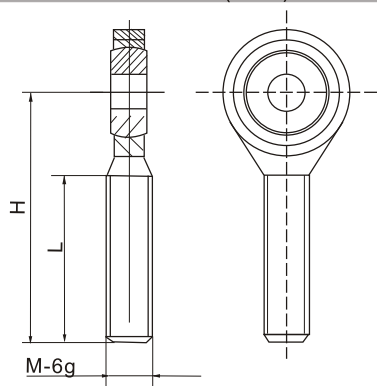
Capacity	Part number
25kg-50kg	HL-3-003-25/50kg
100kg-150kg	HL-3-003-100/150kg
200kg-1000kg	HL-3-003-200/1000kg
1.5t	HL-3-003-1.5t
2t-3t	HL-3-003-2/3t
5t	HL-3-003-5t

### Features:

Matched with S type load cells, suitable for hybrid scales, crane scales, packaging scales, hopper scales, and other electronic weighing devices.



### Outline Dimension mm(inch)



Capacity	H	M×L	Shaft joint bearing	Lifting weight
25kg-50kg	42(1.65)	M8×24	Bearing GB/T9161-2001 SA 8E	0.55t
100kg-150kg	48(1.89)	M10×26	Bearing GB/T9161-2001 SA 10E	0.81t
200kg-300kg	54(2.13)	M12×28	Bearing GB/T9161-2001 SA 12E	1.08t
500kg-750kg	54(2.13)	M12×28	Bearing GB/T9161-2001 SA 12E	1.08t
1t	54(2.13)	M12×28	Bearing GB/T9161-2001 SA 12E	1.08t
1.5t	63(2.48)	M12×28	Bearing GB/T9161-2001 SA 20E	3.0t
2t-3t	78(3.07)	M20×1.5×43	Bearing GB/T9161-2001 SA 20E	3.0t
5t	89(3.5)	M20×1.5×43	Bearing GB/T9161-2001 SA30ES	6.0t